

Elektromagnetischer Signalgeber AL-16SP12

Mit Ansteuerung Art.-Nr.: 170020

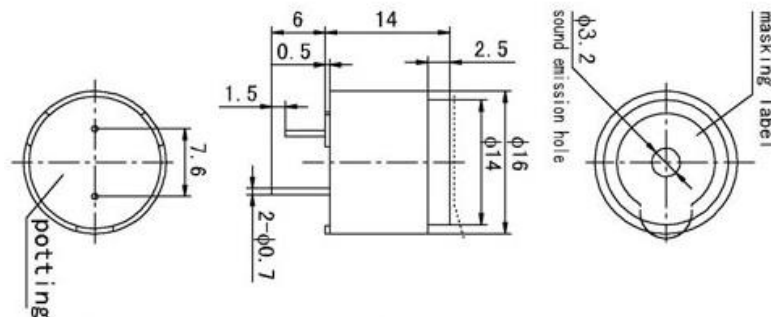
Specification :

TYPE	UNIT	AL-16SP12
• Min. Sound Output at 10cm	dB	85
Rated Voltage	V _{DC}	12
Operating Voltage	V _{DC}	8~15
Resonant Frequency	Hz	2.300±300
• Max. Current Consumption	mA	30
Operating Temperature	°C	-20~+70
Storage Temperature	°C	-30~+80
Weight	g	7

- Value applying at rated voltage

Dimensions :

(Unit : mm)



Frequency Response :

